



## 密閉型自動撒水頭 (隱藏式)

Model A AUTOMATIC SPRINKLER (Close Type)

C01 (Glass Bulb Type)

CONCEALED SPRINKLER

CFC 隱藏式撒水頭具有裝飾罩可調整功能的設計，容許調整長度 12.5 mm 以內，撒水頭為隱藏於天花板內，外部裝飾板與天花板平齊，其裝飾板直徑只有 69 mm 非常迷你美觀。

裝飾罩為單一結構撒水頭，容易安裝，不需特殊工具即可完成安裝及測試。經內政部消防署審核認可。

The CFC Concealed Sprinkler is standard Spray Sprinkler that allow over 12.5mm of adjustment with an esthetically pleasing cover plate design.

The sprinkler is hidden from view by a low Profile, small diameter cover plate installed flush to the ceiling.

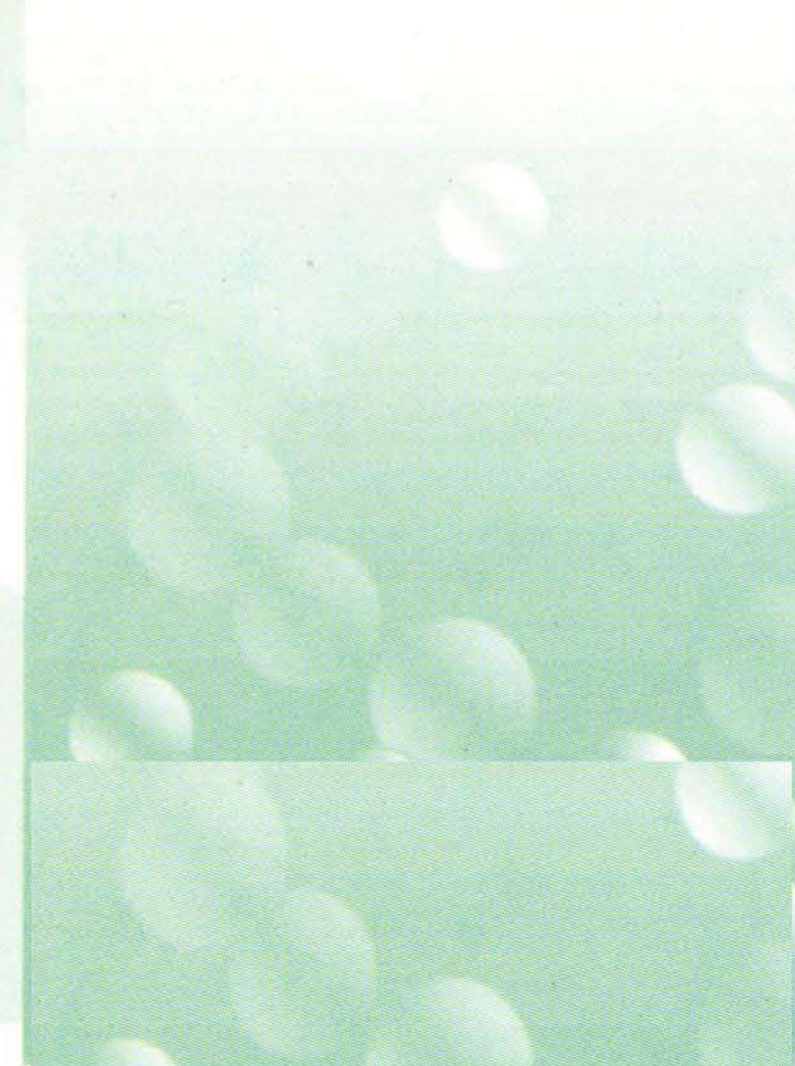
The one piece design allows in stallation and testing of the sprinkler prior to installation of the cover plate, No specific tools, easy to installation.

approved by National Fire Administration Ministry of Interior R.O.C.

### 規格 Specifications

|                                |                                     |
|--------------------------------|-------------------------------------|
| 型 式 Model                      | C01                                 |
| 安裝方向<br>Installation direction | 向下<br>Downward                      |
| 放水量<br>discharge capacities    | 80 l/min at 1.0 kgf/cm <sup>2</sup> |
| 耐壓試驗壓力<br>Tested pressure      | 35 kgf/cm <sup>2</sup> -5 min       |

| 動作溫度<br>Temperature ratings | 玻璃球顏色<br>Bulb Color | 周圍最高溫度<br>N.F.P.A. Maximum<br>Ceiling temp. | 裝飾罩動作溫度<br>Cover plate<br>temp. ratuing |
|-----------------------------|---------------------|---|---|
| 155°F / 68°C                | Red / 紅色            | 100°F / 38°C                                | 135°F / 57°C                            |
| 200°F / 93°C                | Green / 綠色          | 150°F / 66°C                                | 165°F / 74°C                            |

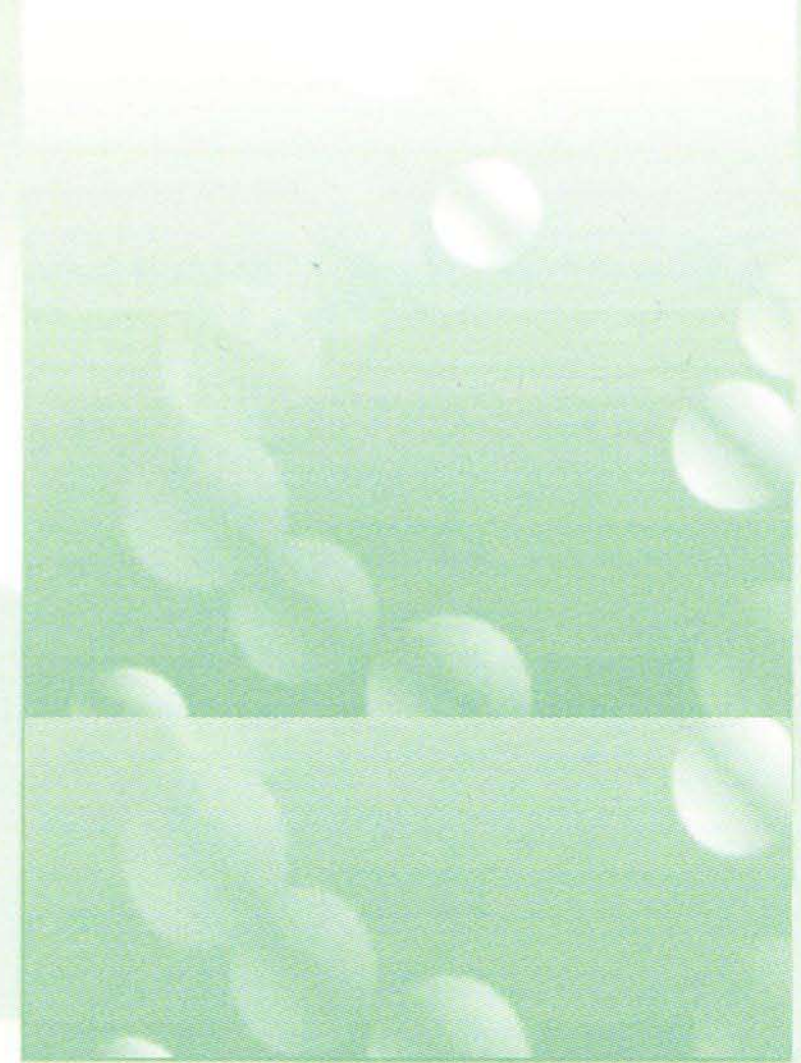


### 材質 MATERIALS

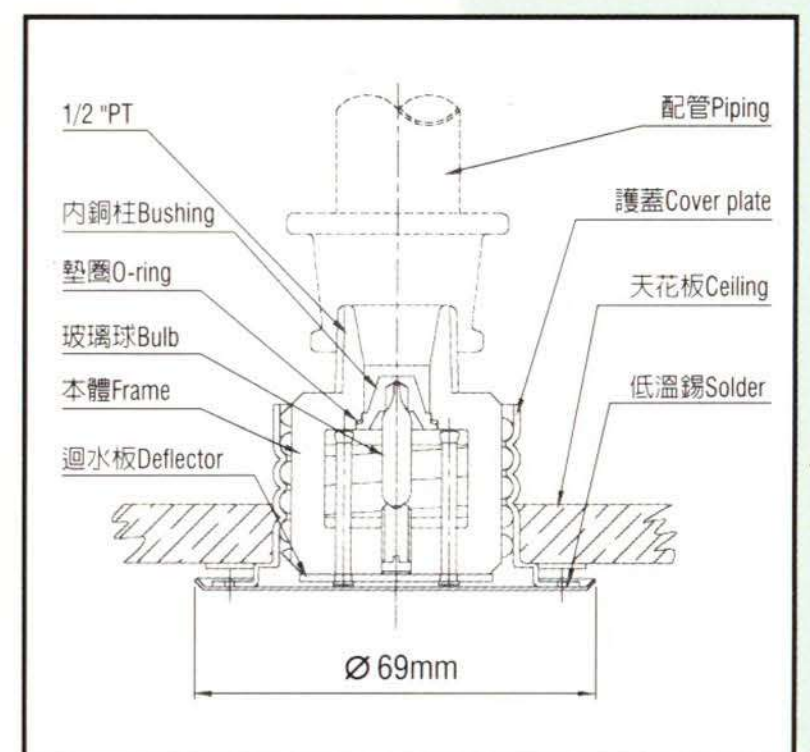
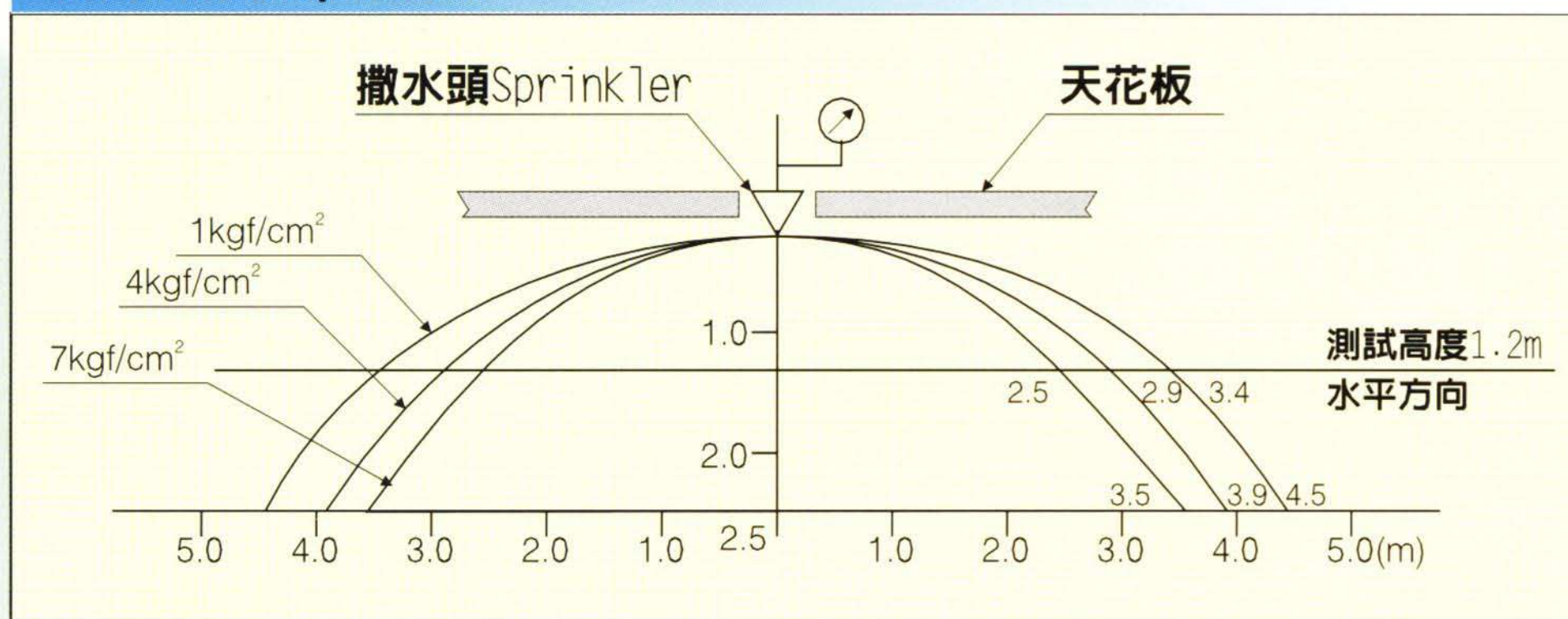
|  |
|--|
| 本體 Frame : Brass   |
| 迴水板 Deflector : Copper   |
| 玻璃球 Bulb-Glass : Glycertain<br>Solution Nominal, 5mm Diameter. |
| 內銅柱 Bushing : Brass  |
| 墊圈 O-rings : Silicon   |
| 護蓋 Cover Plate : Brass,<br>White Painted or Polished Chrome    |
| 低溫錫 Solder : Eutectic  |

本產品通過經濟部標準檢驗局 ISO 9001 認證，所有撒水頭都依據 CNS 11254 標準 / UL 199 規範生產製造，並經嚴格品質管制。每個撒水頭都是經過 35kgf/cm<sup>2</sup> 水壓測試，並保持五分鐘。

Manufacture is controlled by a quality management system certificated by Bureau of Standards Metrology and In spection R.O.C. CNS12681 / ISO 9001, Sprinklers has met the Strict requirements of CNS 11254 / UL199. Each and every sprinkler is pressure tested to 500 psi (35kgf/cm<sup>2</sup>) — 5minutes.



**隱藏式撒水頭  
Concealed Sprinkler**



**安 裝  
INSTALLATION**

